

Cat M1 & NB-IoT OBD Tracker

User Manual V1.0



Preface

Congratulations on choosing Mictrack MP90-NB 4G Cat M1 & NB-IoT OBD tracker. This manual shows how to easily program and setup the tracker for the best results. Make sure to read this manual carefully before using this product, so as to avoid delays or confusion with its operation. Please note that specifications and instructions are subject to change without notice to facilitate product improvement. Updates and changes will be integrated into the latest release. The manufacturer assumes no responsibility for any errors or omissions in outdated documents.

Contents

1. Overview.....	1
2. Application.....	1
3. Specifications.....	1
4. MP90-NB interface.....	2
5. Installation.....	2
5.1 SIM Card installation.....	2
5.2 Install the Device.....	3
5.3 LED Indications.....	3
5.3.1 SYS-System indicator (RED).....	3
5.3.2 GPS-GPS indicator (BLUE).....	3
6. Setup and Configuration.....	3
6.1 Setting Authorized Mobile Phone Numbers.....	3
6.2 Deleting authorized number.....	4
6.3 Changing the Admin password.....	4
6.4 Instant Location Request (used to receive unit location via SMS).....	4
6.5 Instant Location Request (Phone Call Activated).....	4
6.6 Round Geo-fence (Setting of size and shape of Geo-Fence).....	4
6.7 Un-plug alarm.....	4
6.8 Low battery Alarm (internal backup battery).....	5
6.9 Over-Speed alarm (Alerts that the unit is exceeding a preset speed).....	5
6.10 Set APN (Access Point Name).....	5
6.11 Set Tracking Server IP and PORT.....	5
6.12 Set the Upload Interval Time (Normal mode).....	5
6.13 Power Saving Mode.....	5
6.13.1 Power Saving Mode & Device Stationary.....	6
6.13.2 Power save mode ON&device Move interval time.....	6
6.14 SMS Response ON/OFF.....	6
6.15 Unit Phone Calling Control (useful for SIM Card data cost saving).....	6
7. App & PC Tracking platform.....	7
7.1 Active the device ID number.....	7
7.2 App install & Login.....	7
7.3 PC login.....	7
8. Troubleshooting.....	8

1. Overview

The MP90-NB is a plug-and-play CAT M1 & NB-IoT OBD tracker without wiring. Easy install to any vehicle with a standard OBD II connector. It can be used locate, track and monitor the vehicle via SMS, PC Computer or Mobile APP.

It is commonly used to track and locate individual vehicles, the user also can real time tracking and check the historical route travelled.

2. Application

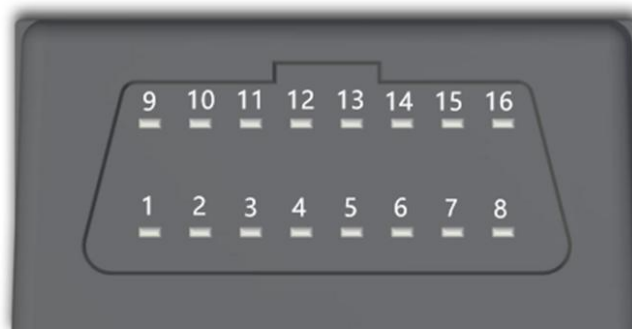
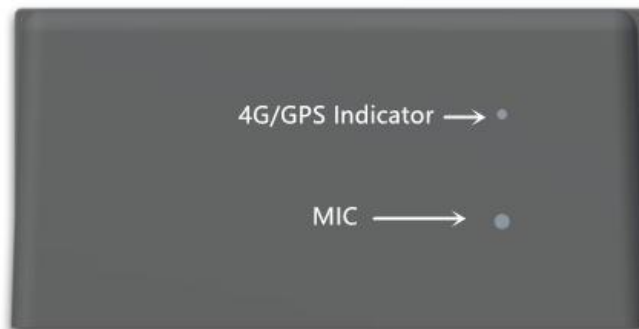
- **4G LTE CAT M1 & NB-IoT & GSM network support**
- OBD II connector easy to install (Plug and Play)
- Real-time position acquiring
- Vehicle trip history and mileage data on web tracking platform
- Geo-Fence alarm and reporting
- Vehicle towing / Movement alarm
- Over-Speed alarm and reporting
- Remove and disconnect alarm
- Backup battery low power alarm
- Power saving / sleep mode
- Mileage report
- Compatible with most of third party platform
- Open protocol

3. Specifications

Item	Specifications
Dimension	67(L)*50(W)*25(H)mm
Weight	65g
Input Voltage	12V-24VDC
Backup battery	3.7 V 120 mAh; 50mA standby current at 12 V
Power consumption	50mA standby current at 12 V
Working temperature	-20°C to 55°C
Humidity	5%~95% non-concretion
Working hour	2 hours in power-saving mode, 0.5 hours in normal mode
LED indicator	4G(RED),GPS(BLUE)
Sensor	3D acceleration/movement sensor/ temperature sensor
Antenna	Internal 4G & GPS antennas
GPS Sensitivity	-162dBm

Item	Specifications
Positioning Accuracy	2.5m
Cellular Frequency bands	Cat M1 (LTE-M, eMTC) LTE FDD: B1/B2/B3/B4/B5/B8/B12/B13/B18/B19/B20/B26/B28 LTE TDD: B39 NB-IoT (CAT NB1): LTE FDD: B1/B2/B3/B4/B5/B8/B12/B13/B18/B19/B20/B26/B28 GSM: 850/900/1800/1900Mhz
SIM Interface	Micro SIM

4. MP90-NB interface

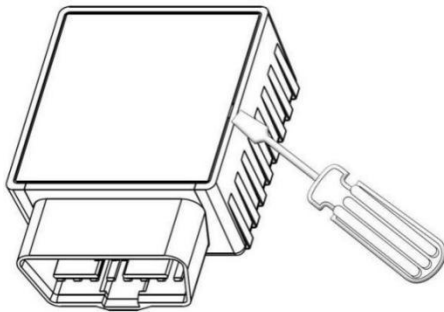


5. Installation

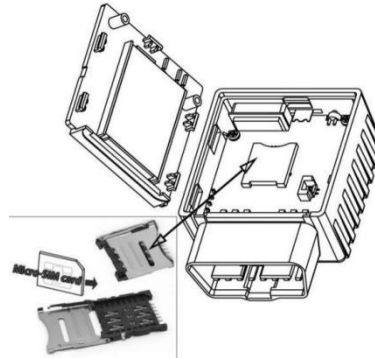
5.1 SIM Card installation

- Get ready a **Micro Sim Card** that support **Cat M1** or **NB-IoT** with 15MB data a month
- Gently open the back case using screwdrivers((Diagram #1).
- Take out the over and **First Insert SIM card** to the SIM card slot(Diagram #2)
- **Second, Insert battery** wire to connector

- Attach back housing cover
- Device is ready



(Diagram #1)



(Diagram #2)

5.2 Install the Device

Directly insert the ODB tracker to vehicle's OBD2 interface

5.3 LED Indications

5.3.1 SYS-System indicator (RED)

Status	Description
Always ON	No SIM Card (or) No Network Reception
Quick flash	Access network successful

5.3.2 GPS-GPS indicator (BLUE)

Status	Description
OFF	GPS / Satellites Unavailable – Out of Range
Blinking	GPS/Satellite Locked – Normal Mode

6. Setup and Configuration

- If you use NB-IoT SIM card, ONLY can setup the device via USB Config cable(because NB-IoT SIM do not support SMS)
- If you use Cat M1 SIM card, you can setup the unit via following SMS commands (6.1-6.15) or via USB Config cable.
- Download the USB Config tool and guide/video from the link:<http://bit.ly/2PWbxBN>

6.1 Setting Authorized Mobile Phone Numbers

SMS Command format: mobile number+password+[command parameter]

Note: Command Parameter here is the sequence of the mobile number

i.e. [1=Admin] or [2=SOS call number]

For example: *13424392330*0000*1**

Unit Reply: SET USER NUMBER 1 OK.

Note:

- The defaulted password is **0000**.
- It can authorize up to 3 phone numbers.

6.2 Deleting authorized number

SMS Command format: password+number+[command parameter]

Note: Command Parameter here is the sequence of the mobile number

i.e. [1=Admin] or [2=SOS call number]

For example: **0000*1**

Unit Reply: DELETE USER NUMBER 1 OK.

6.3 Changing the Admin password

SMS Command format: 777+new password+old password

For example: 77712340000

Unit Reply: SET USER PASSWORD OK.

6.4 Instant Location Request (used to receive unit location via SMS)

SMS Command format: 666+password

For example: 6660000

When sent, this command will result in a Unit Reply SMS as follows:

ID:861108030047996

Date:06:39:02 14/03/2017

Fix:A State:SMS

[http://maps.google.com/maps?q="+22.62965%2c+114.03552](http://maps.google.com/maps?q=)

Note: This link can to be opened on any Smart Phone to reveal the Google Maps Location of the unit at the time of request

6.5 Instant Location Request (Phone Call Activated)

If the unit receives an incoming call from one of it's 3x authorized numbers, and the call is hung up after ringing only 2-5 times, the device will send an SMS containing it's location to it's authorized phone number, and then upload it's location data to the Web Tracking Platform server along with the status description "CALL"

6.6 Round Geo-fence (Setting of size and shape of Geo-Fence)

SMS Command format: 005+password+R+[Command Parameter]

Note: Command Parameter here is fence diameter in KM [0.1~999.9]

For example: 0050000R1.0

Unit Reply: SET ROUND GEO-FENCE:ON

6.7 Un-plug alarm

If the MP90-NB was remove from the OBD connector, it will call the authorized phone numbers, and then send location data to the authorized phone number and upload location data to the Web Tracking Platform server along with the status description "DEF"

6.8 Low battery Alarm (internal backup battery)

When the unit's internal backup battery is low, it will SMS the authorized phone number, and upload location data to the Web Tracking Platform server along with the status description "BLP"

6.9 Over-Speed alarm (Alerts that the unit is exceeding a preset speed)

SMS Command format: #122#user password#[Command Parameter]##

Note: Command Parameter here is [Km/Hour]

Example: #122#0000#100##

Unit Reply: SET SPEED LIMIT:ON

To disable the Over-Speed Alarm

SMS Command format: #122#0000#0##

Note: Command Parameter here is [0=OFF]

Unit Reply: SET SPEED LIMIT:OFF.

Note: Speed is in KM/H, Maximum setting = [999].

Note: Maximum 10 Characters

6.10 Set APN (Access Point Name)

SMS Command format 1: #803# password#APN##

For example : #803#0000#telstra.internet##

SMS Command format 2: #803#password#APN#APN user name# APN password##

For example: #803#0000#CMNET#INTERNET#INTERNET##

Reply: SET GPRS APN OK.

Note: please contact your SIM Card provider to get the correct APN details

(Most SIM Card GSM providers do not use passwords or username for access – it is already encoded into the SIM Card)

6.11 Set Tracking Server IP and PORT

SMS Command format: #804#password#IP address(or domain) #port##

Example:#804#0000#e.trackits.com#7700##

Reply: SET SERVER IP AND PORT OK.

6.12 Set the Upload Interval Time (Normal mode)

SMS Command format: #805#password#interval time#[command parameter]##

Note: Command Parameter here [1=ON] & [0=OFF]

For example:#805#0000#10#1##

Unit Reply: SET GPS PERIODIC UPLOAD ON.

Note: interval time maximum [10,65535]seconds.

Unit Reply: SET GPS PERIODIC UPLOAD OFF.

6.13 Power Saving Mode

Enable power save mode : 100+password

Example: 1000000

Reply: SET POWER SAVE MODE:ON.

Disable power save mode :101+password

Example:1010000

Reply:SET POWER SAVE MODE:OFF.

Note: Default is OFF

6.13.1 Power Saving Mode & Device Stationary

SMS Command format: #807#password#interval time##

For example: #807#0000#2##

Note:

Interval time define is [2,1440] minuets,If interval time is 0, it will stop upload and reply:
SET GPS POWER SAVING UPLOAD OFF.

If you enable power saving mode(1000000) and device is stop, the device will upload will
as 807 command interval.Upload status is **AUTOLOW**

6.13.2 Power save mode ON&device Move interval time

Command: #809#password#interval time#X##

Example: #809#0000#10#1##

Reply: SET GPS TOWED UPLOAD ON.

Note:

- Interval time define is[10,65535]seconds, X define is[0,1], If X=0,it will stop
upload and reply: SET GPS TOWED UPLOAD OFF.
- If you enable power saving mode(1000000) and device is move, the device will
upload will as 809 command.
- Upload status is **TOWED**

6.14 SMS Response ON/OFF

To turn SMS messages OFF

SMS Command format: 160+password

For example: 1600000

Unit Reply: SET SEND SMS:OFF.

To turn SMS messages back ON

SMS Command format: 161+password

For example: 1610000

Unit Reply: SET SEND SMS:ON.

Note: if you want to disable the SMS alerts, send **1600000**

6.15 Unit Phone Calling Control (useful for SIM Card data cost saving)

To turn OFF unit Calling Alerts

(i.e. to save SIM data costs)

SMS Command format: 150+password

For example: 1500000

Unit Reply: SET VOICE CALL:OFF

To turn ON unit Calling Alerts

SMS Command format: 151+password

For example: 1510000

Unit Reply: SET VOICE CALL: ON

7. App & PC Tracking platform

7.1 Active the device ID number

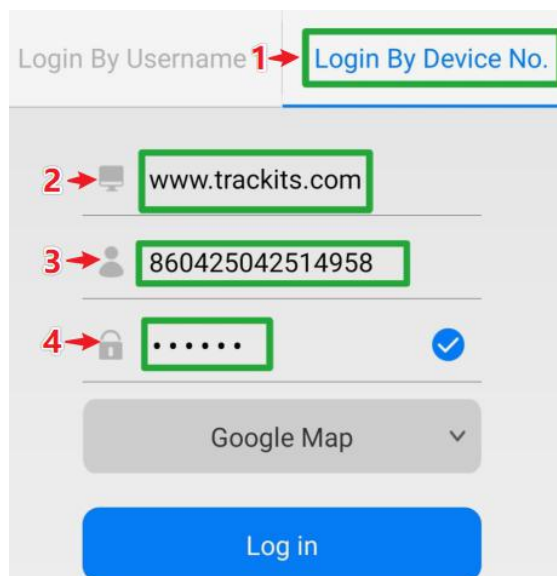
- Contact with your sales or distributor
- If not please subscribe the server plan from official online shop:
<https://www.mictrack.com/shop/gps-tracking-platform-service>

7.2 App install & Login

- Search “**Yi tracker**” in Google Play or iOS store(or scan the following QR code) to download the Mobile APP(not Yi tracker2);



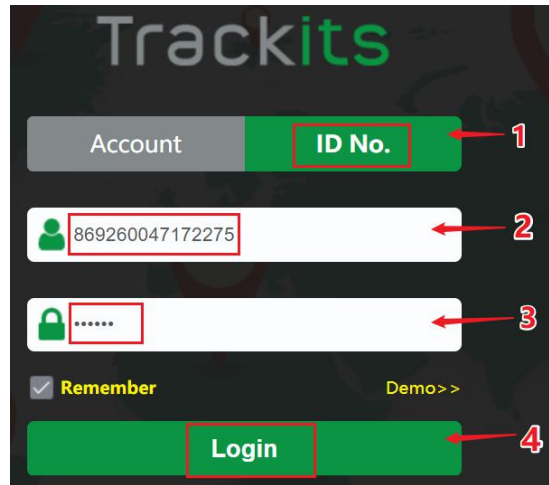
- Choose the” **Login by Device No.**, Input server www.trackits.com
- Input **your device’s ID number** and password(default is 123456) to login.



The screenshot shows the login interface of the app. At the top, there are two tabs: "Login By Username" and "Login By Device No.". The "Login By Device No." tab is selected and highlighted with a green box. Below the tabs, there are three input fields, each with a red arrow pointing to it: 1. A server field containing "www.trackits.com" with a green box around it. 2. A device ID field containing "860425042514958" with a green box around it. 3. A password field containing "....." with a green box around it and a blue checkmark icon to its right. Below the input fields is a "Google Map" dropdown menu and a blue "Log in" button.

7.3 PC login

- Web: www.trackits.com, Choose “**ID No.**”
- Input **your device’s ID number** and password(default is 123456) to login



8. Troubleshooting

Issues	Caused	Solutions
Send SMS to the device but no reply	1>The device only reply with Cat M1 sim card and will not reply the NB-IoT SIM card 2>SIM Card have not active 3>Card balance is not enough	Please check the SIM card status and try again.
	Text command format is wrong	Please check the command format again
	Connect network fail.	Please check LED status and make sure the network connect successful first.
GPS platform shows logged off		1.Check the APN setting ; 2. Check IP and port 3. Check network if match
GPS platform shows no location or the coast of Africa.	Device indoor/garage	Take it outside for a 10-minute walk or drive, and its location should update.
LED no light	Backup battery is low power	Please charge the device for 30 minutes at least.

Any questions please do not hesitate to contact us:

mictrack

Add: 706,United Building,Donghuan 1st Road,Longhua District,Shenzhen,China 518109

Tel: +86-755-28198746

Web: www.mictrack.com

Email: info@mictrack.com