

MT532 4G GPS Tracker

User Manual V2.0



Preface

Congratulations on choosing the Mictrack MT532 4G GPS tracker. This manual shows how to easily program and setup the tracker for best results. Make sure to read this manual carefully before using this product, so as to avoid delays or confusion with its operation. Please note that specifications and instructions are subject to change without notice to facilitate product improvement. Updates and changes will be integrated into the latest release. The manufacturer assumes no responsibility for any errors or omissions in outdated documents.

Contents

1. Overview	1
2. Application	1
3. Specifications	1
4. Installation	2
4.1 SIM Card installation	2
4.2 Power ON	2
4.3 LED Indications	2
4.3.1 Blue LED - GPS indicator	2
4.3.2 Red LED - Charging indicator	2
4.3.3 Yellow LED - Network indicator	3
4.4 Install the Device	3
5. Setup and Configuration	4
5.1 Setting Authorized Mobile Phone Numbers	4
5.2 Change the password	4
5.3 Request the single position	4
5.4 Over-Speed alarm	4
5.5 Phone Alarm for shake	4
5.6 SMS Alarm for shake	5
5.7 Set APN (Access Point Name)	5
5.8 Sleep interval	5
5.9 Set Server IP and PORT	5
5.10 Set timezone	5
5.11 SOS Alarm	5
5.12 Sleep mode	5
5.13 Cut Off Oil Alarm	5
5.14 Heartbeat report interval	5
5.15 ACC Illegal Start Alarm	5
5.16 Reboot	6
5.17 Reset	6
5.18 ACC ON Upload time	6
5.19 ACC OFF Upload time	6

1. Overview

The MT532 is the 4G GPS tracker, supporting 4G LTE/2G GSM networks. This device can be used locate, track and monitor any remote target via SMS, PC Computer or Mobile APP. It is commonly used to track and locate individual vehicles, motorbikes or boats, and is a valuable tool for enhanced fleet management. The user can check the historical route travelled and other vehicle data.

The MT532 has an excellent track record for stable performance and possesses a wide variety of features.

2. Application

- 4G LTE network with 2G Fallback
- Real-time tracking
- ACC switch status alarm (Ignition ON/OFF)
- External power cut off alarm
- Remote cut off fuel / ignition (optional)
- Vehicle towing / Movement alarm
- Over-Speed alarm and reporting
- Backup battery low power alarm
- Power saving / sleep mode
- Data backup when Network is unavailable
- Open Protocol

3. Specifications

Item	Specifications
Dimension	84(L)*32(W)*10(H)mm
Weight	43g
Input Voltage	9V-95V
Backup battery	60mAh/3.7v
Power consumption	35mA standby current
Working temperature	-20°C to 55°C
4G Bands	<p>MT532-E</p> <p>4G LTE: B1/B3/B5/B7/B8/B20</p> <p>2G: 900/1800MHz</p> <p>MT532-A</p> <p>4G LTE: B1/B2/B3/B4/B5/B7/B8/B28/B66</p> <p>2G: 850/900/1800/1900MHz</p>

Item	Specifications
GPS Sensitivity	-162dBm
Positioning Accuracy	5-10m
AGPS	Supported
Hot start	1s on average
Warm start	15s on average
Cold start	30s on average
Humidity	5%~95% non-concretion
Antennas	Internal 4G & GPS antennas
Sensor	3D acceleration/movement sensor
LED	CHG/GPS/Network
SIM Card interface	Micro Size SIM (3FF)

4. Installation

4.1 SIM Card installation

- Get ready a Standard size SIM Card with 10-15MB data a month.
- Open the back cover
- Insert Micro Sim card (3FF) to sim card slot correctly
- Make the Power Button to ON
- After that the device will be ready.

4.2 Power ON

Make the Power button to **ON**, and the device will turn on.

Note:

- The device only supports **Micro Size SIM card (3FF)**.

4.3 LED Indications

4.3.1 Blue LED - GPS indicator

Status	Description
Flash	GPS Not Work or No GPS Signal
Light On	GPS Work

4.3.2 Red LED - Charging indicator

Status	Description
Flash	Charging/working
Light Off	No Power

ON	Normal
----	--------

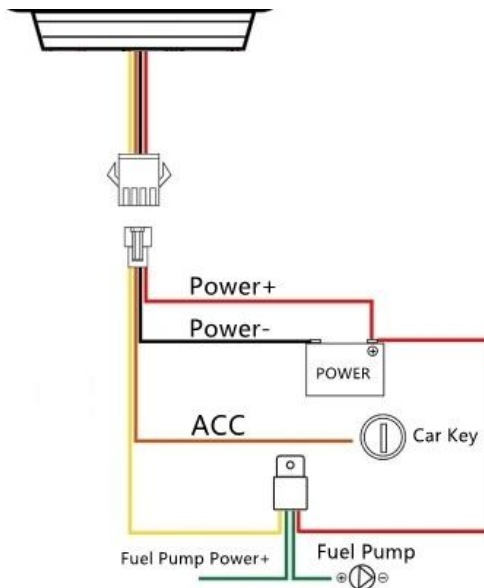
4.3.3 Yellow LED - Network indicator

Status	Description
Light On	Network work
Flash	No network or SIM card not detected

4.4 Install the Device

- Wiring connections (See below image)
- Connect the Relay (relay is optional)

The Yellow cable is control the fuel of the car and connects pin 86 of relay which is a coil end. Pin 85 of the relay which is another coil end connects fuel channel to supply 12V power (please note working volt of the relay is consistent with working volt of the product). Pin 30 and Pin 87a are always closed ends and connect fuel channel power circuit in series. Please install wire in a correct way. supplier will not be responsible for device damage caused by wrong installation.



When installing the device, please connect supplied wiring loom as follows: (or contact our sales team for help)

- **Red:** Connect to constant 12V Car Battery (+)
- **Black:** Connect to Earth (Chassis) Car battery (-)
- **Orange:** Connect to ACC switched 12V Power
- **Yellow:** Connect the relay

Note: SOS and Relay are optional.

5. Setup and Configuration

Following a successful command, you should always receive a reply SMS from the unit. Be patient, as this may take some time depending if the unit is required to reboot to process the command. Failure to reply will indicate either an incorrect SMS Command, or the unit has powered off, lost Cell Mobile signal or run out of SIM Card credit.

5.1 Setting Authorized Mobile Phone Numbers

Command: 101#phone number#

Example: 101#13424392330#

Reply: ok

Note: The defaulted password is **123456**.

5.2 Change the password

Command: password,old password,new password

Example: password,123456,000000

Reply: password OK

5.3 Request the single position

Command: G1234

When sent this command to device, it will reply the location by using Google Link.

[http://maps.google.com/maps?q="+22.64812,+114.03426](http://maps.google.com/maps?q=)

ID:19175213870

ACC:ON

GPS:A

Speed:0.00KM/H

23-05-10 19:18:39

5.4 Over-Speed alarm

Command : speed,password,speed value

Example: speed,123456,080

Reply: speed ok

Disable Over-Speed Alarm

Command : speed,password,000

Command : speed,123456,000

Reply: speed ok

Note: Speed range is [0,255] KM/H

5.5 Phone Alarm for shake

Disable phone alarm for shake: 121#

Reply: OK

Enable phone alarm for shake: 122#

Reply: OK

5.6 SMS Alarm for shake

Disable SMS alarm for shake: 126#

Reply: OK

Enable SMS alarm for shake: 125#

Reply: OK

5.7 Set APN (Access Point Name)

Command: APN,password,apn

Example: apn,123456,cmnet

Unit Reply: apn ok.

Note: please contact your SIM Card provider to get the correct APN details

5.8 Sleep interval

Command: sleep,password,interval

Example: sleep,123456,5

Unit Reply: OK.

Note: The interval range is [1,1440] minutes.

5.9 Set Server IP and PORT

Command : IP+ space+ IP address+ space+ port number

Example:IP 113.98.254.180 8185

Reply: SET IP OK.

5.10 Set timezone

Command : zone,password,Timezone

Example:zone,123456,E08

Reply: OK.

5.11 SOS Alarm

When press the SOS button more than 3 seconds, it will send location to authorized phone number, the information state included "STATE: SOS"

5.12 Sleep mode

When the vehicle ignition is off and devices stop for 3 minutes it will go to sleep mode.

5.13 Cut Off Oil Alarm

While the 12V power disconnected, it will send location to server

5.14 Heartbeat report interval

Command for set heartbeat time:interval,password,X

Example: interval,123456,600

Reply: OK

Note: .the unit of X is L second, the max time is [1,65532] seconds

5.15 ACC Illegal Start Alarm

Enable ACC Illegal SMS Alarm: accsms,password,1

Example: accsms,123456,1

Reply: acc sms alarm set ok

Disable ACC Illegal SMS Alarm: accsms,password,0

Example: accsms,123456,0

Reply: acc sms alarm set ok

Enable ACC Illegal Phone Alarm: acccall,password,1

Example: acccall,123456,1,

Reply: acc call alarm set ok

Disable ACC Illegal Phone Alarm: acccall,password,0

Example: acc123456,0

Reply: acc call alarm set ok

Note : 1 mean open, 2 mean close

5.16 Reboot

Command : CQ

Reply: system reset ok!

5.17 Reset

Command : FORMAT

Reply: OK

5.18 ACC ON Upload time

Command : FREQ,password,X

Example : FREQ,123456,30

Reply: OK

Note: The range is [1,65535] seconds

5.19 ACC OFF Upload time

Command : STATIC,password,X

Example : STATIC,123456,40

Reply: OK

Note: The range is [1,65535] seconds

Any questions please do not hesitate to contact us:

mictrack

Shenzhen Mictrack Electronics Co.,Ltd.

Add: 706, United Building, Donghuan 1st Road, Longhua District, Shenzhen, China 518109

Tel: +86-755-28198746

Web: www.mictrack.com

Email: info@mictrack.com