

# MT600 4G GPS Tracker

## User Manual V3.0



### **Preface**

Congratulations on choosing the MT600 4G Vehicle GPS tracker. This manual shows how to easily program and setup the tracker for best results. Make sure to read this manual carefully before using this product, so as to avoid delays or confusion with its operation. Please note that specifications and instructions are subject to change without notice to facilitate product improvement. Updates and changes will be integrated into the latest release. The manufacturer assumes no responsibility for any errors or omissions in outdated documents.

## Contents

1. Overview.....	1
2. Application.....	1
3. Specifications.....	1
4. MT600 and Accessories.....	2
5. Unit Diagram.....	3
6. Installation.....	3
6.1 SIM Card installation.....	3
6.2 LED Indications.....	4
6.2.1 CHG-Charge indicator (RED).....	4
6.2.2 SYS-System indicator (BLUE).....	4
6.2.3 GPS-GPS indicator (GREEN).....	4
6.3 Device Button Instruction.....	4
6.4 Install 4G & GPS Antenna.....	5
6.5 Connection of supplied wiring loom.....	5
6.6 Install the SOS switch (optional).....	6
7. Setup and Configuration.....	6
7.1 Setting Authorized Mobile Phone Numbers.....	6
7.2 Deleting authorized number.....	6
7.3 Changing the Admin password.....	6
7.4 Instant Location Request (used to receive unit location via SMS).....	6
7.5 SOS Alarm (optional).....	7
7.6 Round Geo-fence (Setting of size and shape of Geo-Fence).....	7
7.6.1 Enable the Round Geo-fence.....	7
7.6.2 Disable the Round Geo-fence.....	7
7.7 Remote cut off fuel and ignition (optional).....	7
7.8 External power cut off alarm.....	7
7.9 Towing alarm.....	7
7.10 Low battery Alarm (internal backup battery).....	8
7.11 Over-Speed alarm (Alerts that the unit is exceeding a preset speed).....	8
7.12 Set time zone.....	8
7.13 Set APN (Access Point Name).....	8
7.14 Set Tracking Server IP and PORT.....	8
7.15 Set GPRS Upload Interval Time.....	8
7.15.1 ACC ON (Upload default status is AUTO).....	8
7.15.2 Vehicle Towed Alarm (vehicle moves whilst ACC is turned OFF).....	9
7.15.3 ACC OFF & Vehicle Stationary (Upload status is AUTOLOW).....	9
7.16 SMS Response ON/OFF.....	9
7.17 Unit Phone Calling Control (useful for SIM Card data cost saving).....	9
8. App & PC Tracking platform.....	10
8.1 Active the device ID number.....	10

---

8.2 App install & Login.....	10
8.3 PC login.....	10
9. Troubleshooting.....	11

## 1. Overview

The MT600 is the latest technology 4G GPS tracker, fully supporting 4G LTE mobile networks. This device can be used locate, track and monitor any remote target via SMS, PC Computer or Mobile APP. It is commonly used to track and locate individual vehicles, motorbikes or boats, and is a valuable tool for enhanced fleet management. The user also can remotely cut off Fuel / Ignition and check the historical route travelled and other vehicle data.

The MT600 has an excellent track record for stable performance and possesses a wide variety of features.

## 2. Application

- **4G LTE network support (fallback to 3G/2G network)**
- Real-time tracking
- Vehicle trip history and mileage data on web server
- SOS alarm reporting (optional)
- ACC switch status report
- Geo-Fence alarm and reporting
- External power cut off alarm
- Remote cut off fuel / ignition (optional)
- Vehicle towing / Movement alarm
- Over-Speed alarm and reporting
- Backup battery low power alarm
- Power saving / sleep mode
- Compatible with most of third party platform
- Open protocol

## 3. Specifications

Item	Specifications
Dimension	90(L) x 70(W) x 24(H) mm
Weight	138g
Input Voltage	12-36 VDC
Backup battery	3.7 V 500 mAh
Power consumption	50mA standby current
Working temperature	-20°C to 60°C
Humidity	5%~95% non-concretion
Working Hours	10 hours in power-saving mode, 4 hours in normal mode

Item	Specifications
LED Indicator	4G(blue), GPS(green), Power(red)
Sensor	3D acceleration/movement sensor
Antennas	External 4G & GPS antennas
GPS Sensitivity	-162dBm
Positioning Accuracy	2.5m
<b>4G Frequency bands</b>	<p><b>MT600-E (Asia/Europe/Africa)</b>                      4G LTE: B1/B3/B7/B8/B20/B28A                      3G WCDMA : 900/2100MHz                      2G: 900/1800MHz</p> <p><b>MT600-A (US/CA/Mexico)</b>                      4G LTE: B2/B4/B12                      3G WCDMA: 850/1700/1900MHz</p> <p><b>MT600-AU (Australia/New Zealand)</b>                      4G LTE: B1/B2/B3/B4/B5/B7/B8/B28/B40                      3G WCDMA: 850/900/1900/2100MHz                      2G :850/900/1800/1900MMz</p>
<b>SIM Interface</b>	Standard Size SIM

#### 4. MT600 and Accessories

**Standard accessories:**



**Optional accessories:**

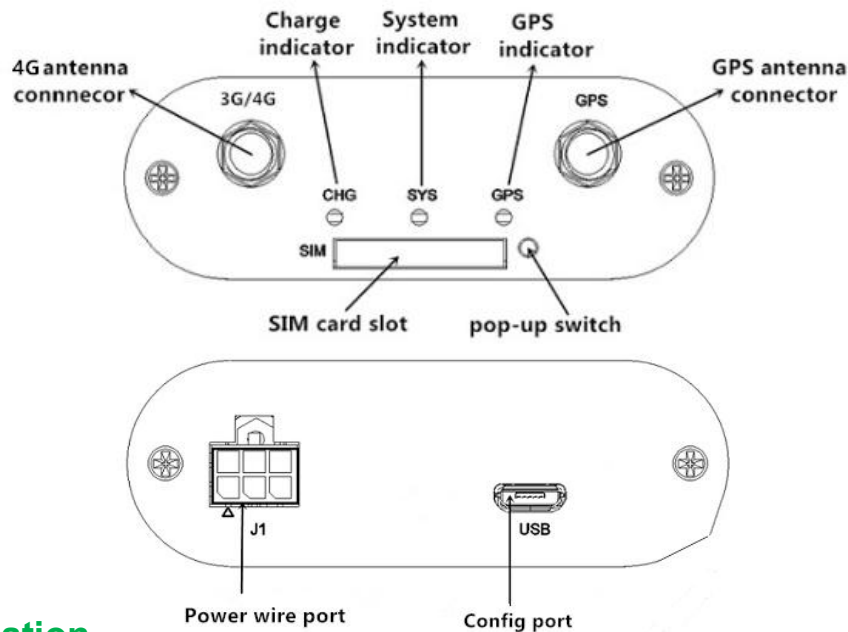


SOS Button



Relay(12V)

## 5. Unit Diagram



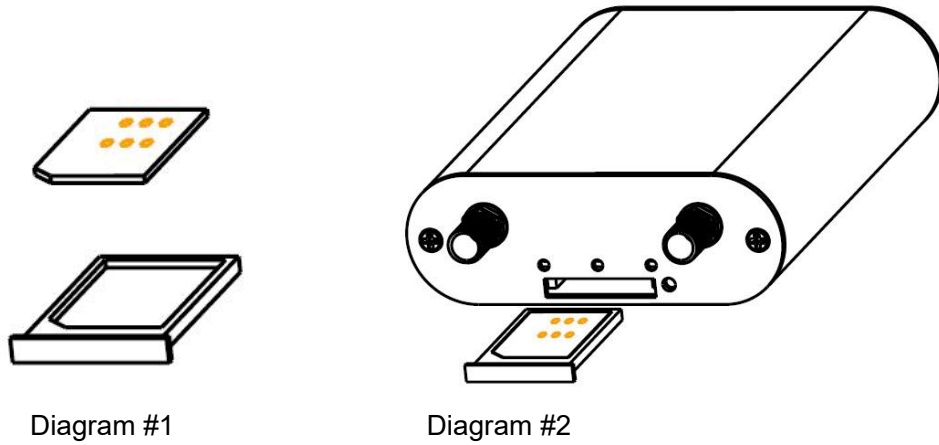
## 6. Installation

### 6.1 SIM Card installation

1. Get ready a **Standard size SIM Card** with **10-15MB** data a month.
2. Insert the SIM card into the SIM card plastic tray.
3. Ensure the SIM card has metal contacts facing up (Diagram #1).
4. Gently slide the SIM Tray into the SIM Slot (Diagram #2).

**Note:**

- The device only supports **Standard Size SIM card**;
- To remove SIM card, use paperclip to press the SIM card pop-out button to eject the SIM card tray.
- Make sure **insert the sim card first** and **then connect the external 12V power**.



## 6.2 LED Indications

### 6.2.1 CHG-Charge indicator (RED)

Status	Description
Constant ON	Currently Charging
OFF	Charging Complete or sufficient battery. <b>(Note: LED will no light if backup battery is not low power.)</b>

### 6.2.2 SYS-System indicator (BLUE)

Status	Description
Constant ON	No SIM Card (or) No Network Reception
OFF	Vehicle Parked – ACC Power OFF
Quick flash	Normal Working Mode

### 6.2.3 GPS-GPS indicator (GREEN)

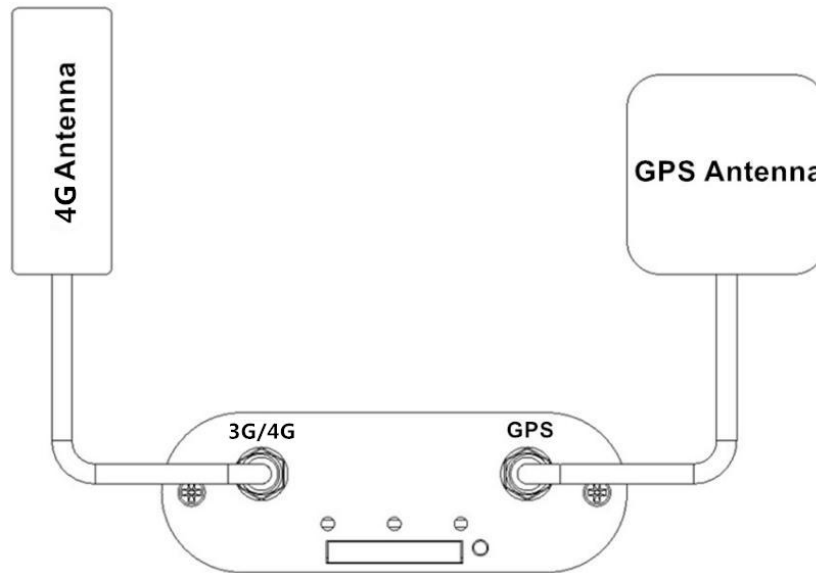
Status	Description
OFF	GPS / Satellites Unavailable – Out of Range
Quick flash	GPS/Satellite Locked – Normal Mode

## 6.3 Device Button Instruction

Button	Description
--------	-------------

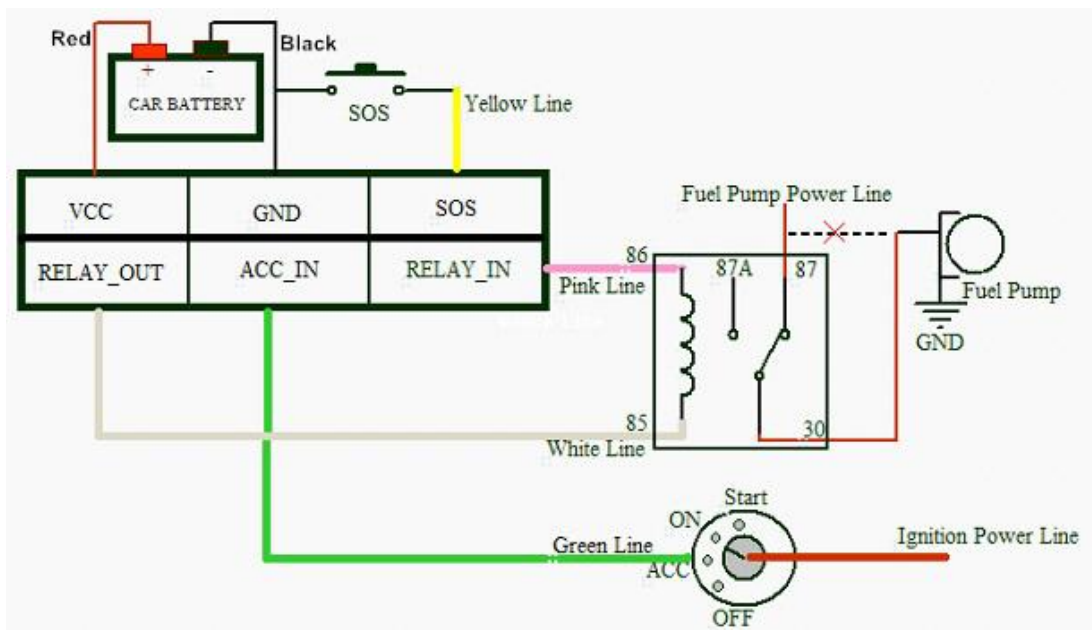
Power ON/OFF	<ul style="list-style-type: none"> <li>● Insert the SIM tray to <b>POWER ON</b> the unit; Take out SIM tray to <b>POWER OFF</b> the unit</li> <li>● Connect the external power to <b>POWER ON</b>; Disconnect the power to <b>POWER OFF</b></li> </ul>
-----------------	--

### 6.4 Install 4G & GPS Antenna



- Connect the 4G Antenna firmly to "3G/4G" Socket
- Connect the GPS Antenna firmly to "GPS" socket

### 6.5 Connection of supplied wiring loom



When installing the device, please connect supplied wiring loom as follows: (or contact us for help)

- **Red:** Connect to constant 12V Car Battery(+)



- **Black:** Connect to Earth (Chassis) Car battery(-)
- **Green:** Connect to ACC switched 12V Power
- **Yellow:** Connect to **red** wire of supplied SOS switch
- **White:** Connect to Relay terminal (85)
- **Pink:** Connect to Relay terminal (86)

**Note:** Relay is optional for remote fuel / ignition shut-off.

## 6.6 Install the SOS switch (optional)

- **Red:** connect to Yellow wire from supplied wiring loom
- **Black:** connect to Earth (Chassis) Car battery(-)

**Note:** installation Video: <https://bit.ly/mt600-install>

## 7. Setup and Configuration

**Note:** When sending SMS command to the unit, do NOT use spaces or symbols not listed below. [brackets and + are for instructional use only] \* and # are valid command parameters.

### 7.1 Setting Authorized Mobile Phone Numbers

SMS Command format: mobile number+password+[command parameter]

Note: Command Parameter here is the sequence of the mobile number

i.e. [1=Admin] or [2=SOS call number]

For example: \*13424392330\*0000\*1\*\*

Unit Reply: SET USER NUMBER 1 OK.

**Note:**

- The defaulted password is 0000.
- It can authorize up to 3 phone numbers.

### 7.2 Deleting authorized number

SMS Command format: password+number+[command parameter]

Note: Command Parameter here is the sequence of the mobile number

i.e. [1=Admin] or [2=SOS call number]

For example: \*\*0000\*1\*\*

Unit Reply: DELETE USER NUMBER 1 OK.

### 7.3 Changing the Admin password

SMS Command format: 777+new password+old password

For example: 77712340000

Unit Reply: SET USER PASSWORD OK.

### 7.4 Instant Location Request (used to receive unit location via SMS)

SMS Command format: 666+password

For example: 6660000

When sent, this command will result in a Unit Reply SMS as follows:

ID:865662000409210

Date:05:36:59 11/11/2016

Fix:A State:SMS

<http://maps.google.com/maps?q=+22.63146%2c+114.03701>

**Note:** This link can to be opened on any Smart Phone to reveal the Google Maps Location of the unit at the time of request

## 7.5 SOS Alarm (optional)

When the SOS button is pressed for 3 seconds, the unit will automatically send it's location to authorized phone number via SMS, and also upload location data to the Web Tracking Platform server along with the status description "SOS"

## 7.6 Round Geo-fence (Setting of size and shape of Geo-Fence)

SMS Command format: 005+password+R+[Command Parameter]

Note: Command Parameter here is fence diameter in KM [0.1~999.9]

For example: 0050000R1.0

Unit Reply: SET ROUND GEO-FENCE:ON

### 7.6.1 Enable the Round Geo-fence

SMS Command format: 211+password

For example: 2110000

Unit Reply: SET ROUND GEO-FENCE: ON.

### 7.6.2 Disable the Round Geo-fence

SMS Command format: 210+password

For example: 2100000

Unit Reply: SET ROUND GEO-FENCE: OFF.

## 7.7 Remote cut off fuel and ignition (optional)

To remotely Cut-Off fuel or power

SMS Command format: 940+password

For example: 9400000

Unit Reply: SET OILWAY DISCONNECT.

To remotely Resume fuel or power

SMS Command format: 941+password

For example: 9410000

Unit Reply: SET OILWAY RECOVERY CONNECT.

**Note:** The default setting for the Cut-Off feature is OFF

## 7.8 External power cut off alarm

If the external power to the unit is disconnected, [i.e. unit tampering or vehicle battery removal] the unit will call the authorized phone numbers, and then send location data to the authorized phone number and upload location data to the Web Tracking Platform server along with the status description "DEF"

## 7.9 Towing alarm

If the vehicle was be moved or towed when ACC is turned OFF, it will SMS location

data to the authorized phone number, and upload location data to the Web Tracking Platform server along with the status description “**TOWED**”

### 7.10 Low battery Alarm (internal backup battery)

When the unit’s internal backup battery is low, it will SMS the authorized phone number, and upload location data to the Web Tracking Platform server along with the status description “**BLP**”

### 7.11 Over-Speed alarm (Alerts that the unit is exceeding a preset speed)

SMS Command format: #122#user password#[Command Parameter]##

Note: Command Parameter here is [Km/Hour]

Example: #122#0000#100##

Unit Reply: SET SPEED LIMIT:ON

To disable the Over-Speed Alarm

SMS Command format: #122#0000#0##

Note: Command Parameter here is [0=OFF]

Unit Reply: SET SPEED LIMIT:OFF.

**Note:** Speed is in KM/H, Maximum setting = [999].

### 7.12 Set time zone

SMS Command format: 896+password+ [+/-]HH:MM

Note: Command Parameter here is [Plus or Minus GMT]&[Hours/Minutes]

For example: 8960000+10:00

Reply: SET TIME ZONE:+08:00

**Note:** The default is Greenwich Time (UTC). [i.e. Melbourne Australia = +10:00]

### 7.13 Set APN (Access Point Name)

SMS Command format 1: #803#password#APN##

For example : #803#0000#telstra.internet##

SMS Command format 2: #803#password#APN#APN user name#APN password##

For example: #803#0000#CMNET#INTERNET#INTERNET##

Reply: SET GPRS APN OK.

**Note:** Please **CALL** your SIM Card provider to get the correct APN info.

### 7.14 Set Tracking Server IP and PORT

SMS Command format: #804#password#IP address(or domain) #port##

Example: #804#0000#112.95.164.248#7700##

Reply: SET SERVER IP AND PORT OK.

### 7.15 Set GPRS Upload Interval Time

This sets how often [in seconds] the unit sends location data back to the Tracking Platform whilst the ACC is switched on. This will affect accuracy and data usage.

#### 7.15.1 ACC ON (Upload default status is AUTO)

SMS Command format: #805#password#interval time#[command parameter]##

Note: Command Parameter here [1=ON] & [0=OFF]

For example: #805#0000#10#1##

Unit Reply: SET GPS PERIODIC UPLOAD ON.

**Note:** interval time maximum [10,65535]seconds

Unit Reply: SET GPS PERIODIC UPLOAD OFF.

### 7.15.2 Vehicle Towed Alarm (vehicle moves whilst ACC is turned OFF)

SMS Command format: #809#password#interval time#[command parameter]##

Note: Command Parameter here [1=ON] & [0=OFF]

For example: #809#0000#10#1##

Unit Reply: SET GPS TOWED UPLOAD ON.

**Note:** interval time maximum [10,65535]seconds

Unit Reply: SET GPS TOWED UPLOAD OFF.

### 7.15.3 ACC OFF & Vehicle Stationary (Upload status is AUTOLOW)

[Periodic upload of vehicle status to the Web Tracking Platform server whilst ACC off – variable to save SIM data costs when parked for long periods and Power Saving]

SMS Command format: #807#password#interval time##

For example: #807#0000#2##

Unit Reply: SET GPS POWER SAVING UPLOAD ON.

**Note:** interval time maximum [2,1440] minutes [If interval time = 0, it will stop upload]

Unit Reply: SET GPS POWER SAVING UPLOAD OFF.

## 7.16 SMS Response ON/OFF

To turn SMS messages OFF

SMS Command format: 160+password

For example: 1600000

Unit Reply: SET SEND SMS:OFF.

To turn SMS messages back ON

SMS Command format: 161+password

For example: 1610000

Unit Reply: SET SEND SMS:ON.

**Note:** if you want to disable the SMS alerts, send **1600000**

## 7.17 Unit Phone Calling Control (useful for SIM Card data cost saving)

To turn OFF unit Calling Alerts

(i.e. to save SIM data costs)

SMS Command format: 150+password

For example: 1500000

Unit Reply: SET VOICE CALL:OFF

To turn ON unit Calling Alerts

SMS Command format: 151+password

For example: 1510000

Unit Reply: SET VOICE CALL: ON\

**Note:** if you want to disable the call alerts, send **1500000**

## 8. App & PC Tracking platform

### 8.1 Active the device ID number

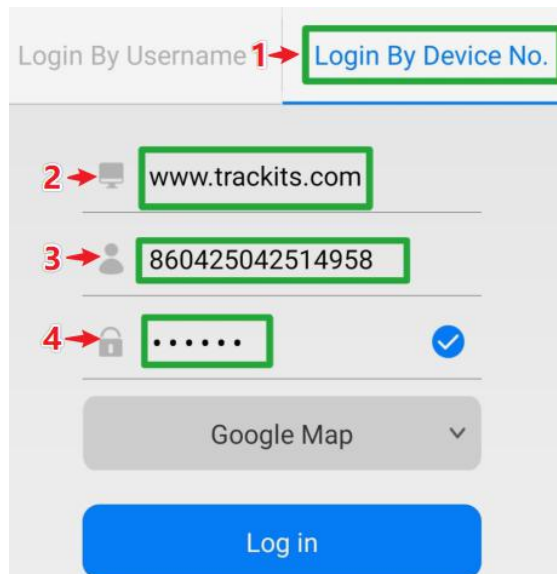
- Contact with your sales or distributor
- If not please subscribe the server plan from official online shop:  
<https://www.mictrack.com/shop/gps-tracking-platform-service>

### 8.2 App install & Login

- Search “**Yi tracker**” in Google Play or iOS store(or scan the following QR code) to download the Mobile APP(not Yi tracker2);

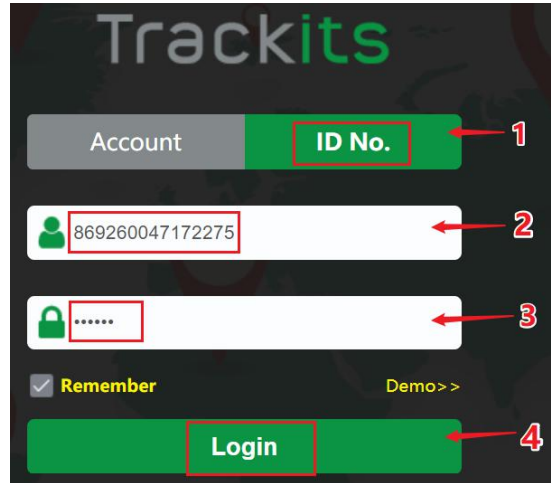


- Choose the” **Login by Device No.**, Input server [www.trackits.com](http://www.trackits.com)
- Input **your device’s ID number** and password(default is 123456) to login.

A screenshot of a mobile application's login interface. At the top, there are two tabs: "Login By Username" and "Login By Device No.", with the latter selected and highlighted in green. Below the tabs, there are three input fields: the first contains "www.trackits.com" (labeled with a red arrow and '2'), the second contains "860425042514958" (labeled with a red arrow and '3'), and the third contains masked characters "....." (labeled with a red arrow and '4'). A blue checkmark icon is visible to the right of the password field. Below the input fields is a "Google Map" dropdown menu and a large blue "Log in" button.

### 8.3 PC login

- Web: [www.trackits.com](http://www.trackits.com), Choose “**ID No.**”
- Input **your device’s ID number** and password(default is 123456) to login
- Watch the video: <https://bit.ly/trackis>



## 9. Troubleshooting

Issues	Caused	Solutions
Send SMS to the device but no reply	1>SIM Card have not active 2>Card balance is not enough	Please check the SIM card status and try again.
	Text command format is wrong	Please check the command format again
	Connect network fail.	Please check LED status and make sure the network connect successful first.
GPS platform shows logged off		1.Check the APN setting ; 2. Check IP and port 3. Check network if match
GPS platform shows no location or the coast of Africa.	Device indoor/garage	Take it outside for a 10-minute walk or drive, and its location should update.
LED no light	Backup battery is low power	Please charge the device for 30 minutes at least.

Any questions please do not hesitate to contact us:



**Shenzhen Mictrack Electronics Co.,Ltd.**

**Add:** B305-306, Kangsheng Electronic Industrial Park, Zhonghua Rd, Longhua District, Shenzhen, China 518131

**Tel:** +86-755-21014699

**Web:** [www.mictrack.com](http://www.mictrack.com)

**Email:** [info@mictrack.com](mailto:info@mictrack.com)